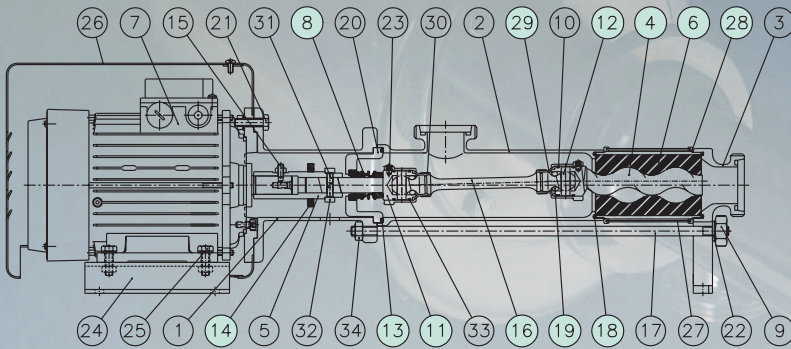


ROTORINOX-S

ROTORINOX-M



ROTORINOX-S

NOMENCLATURA

- | | | |
|---------------------|----------------------|--------------------|
| 1 - Brida | 10 - Casquillo | 19 - Junta barra |
| 2 - Cuerpo | 11 - Eje | 20 - Caja cierre |
| 3 - Boca | 12 - Pasador | 21 - Tornillo |
| 4 - Rotor | 13 - Junta tórica | 22 - Arandela |
| 5 - Eje | 14 - Paragotas | 23 - Prisionero |
| 6 - Estator | 15 - Prisionero | 24 - Bancada |
| 7 - Motor | 16 - Barra universal | 25 - Tornillo |
| 8 - Cierre mecánico | 17 - Tirante | 26 - Recubrimiento |
| 9 - Tuerca | 18 - Junta tórica | 27 - Tubo |

NOMENCLATURE

- | | | | |
|---------------------|------------------------|---------------|-------------|
| 1 - Flange | 10 - Sleeve | 19 - Rod seal | 28 - Ring |
| 2 - Body | 11 - Shaft | 20 - Seal box | 29 - Hood |
| 3 - Mouth | 12 - Pin | 21 - Screw | 30 - Clamp |
| 4 - Rotor | 13 - O-ring | 22 - Washer | 31 - Pin |
| 5 - Shaft | 14 - Splash protection | 23 - Setscrew | 32 - Sleeve |
| 6 - Stator | 15 - Setscrew | 24 - Bed | 33 - O-ring |
| 7 - Motor | 16 - Universal rod | 25 - Screw | 34 - Nut |
| 8 - Mechanical seal | 17 - Rod | 26 - Casing | |
| 9 - Nut | 18 - O-ring | 27 - Tube | |

NOTA: Las piezas de recambio recomendadas están coloreadas. / NOTE: The recommended spare parts are coloured in.

CARACTERÍSTICAS TÉCNICAS

Caudal..... Q = 0.5 a 20 m³/h
 Altura manométrica..... H = 5 a 60 mca
 Motores..... P = 0.5 a 7.5 hp
 (0.37 a 5.5 kW)
 Velocidad motor..... n = 750-1000-1500 rpm
 Viscosidad máxima..... V = 100000 cP
 Temperatura..... T = 80°C
 (especial 110°C)
 Material..... AISI-316L

DESCRIPCIÓN

La bomba ROTORINOX es una bomba volumétrica SANITARIA de desplazamiento positivo para líquidos claros y viscosos.
 Se caracteriza porque la parte hidráulica ha sido sobredimensionada y se han dotado las articulaciones de un CAPUCHÓN sanitario y antiabrasivo PATENTADO (Modelo Utilidad Nº 200201433).

Sus características principales son:
 -Autoaspirante volumétrica.
 -Bombeo constante, uniforme, sin pulsaciones.
 -Caudal proporcional a la velocidad.
 -Reversible, invirtiendo el sentido de giro.
 -Desmontaje fácil, por dos tirantes articulados.

Se caracteriza porque está fabricada totalmente en inoxidable, incluida la brida y el tubo protector del estator.

Se fabrica en dos tipos:

- ROTORINOX-M** Motor a la vista (Pulido mate)
ROTORINOX-S Motor recubierto (Pulido brillante)

- Cuerpo y Boca sanitarios.
- Barra universal sobredimensionada con CAPUCHÓN sanitario.
- Rotor sobredimensionado, pulido y cromado.
- Estator normal: Perbunán alimenticio, blanco. (Especial: Hypalón, EPDM, vitón).
- Eje intercambiable sobredimensionado, independiente.
- Cierre mecánico simple interior Burgmann. Posible otros cierres.
- Brida en inoxidable.
- Bancada estampada de inoxidable.
- Recubrimiento motor en acero inoxidable. Ventilado. Conexión eléctrica dentro del motor estanco (sólo ROTORINOX-S).

Puede ir acoplada directamente a:
 -Motor eléctrico 750-1000-1500 rpm.
 -Motor-reductor 100 a 600 rpm (sólo ROTORINOX-M).
 -Motor-variador mecánico 190/1000 rpm ó 125/600 rpm (sólo ROTORINOX-M).
 Equipada con roscas DIN-11851 (posible SMS, FIL, CLAMP).

APLICACIONES

Nata, crema, jarabes, mermeladas, melazas, cosméticos, pastas, etc.
 Agua, vino, aceites, zumos, etc.

TECHNICAL SPECIFICATIONS

Flow rate..... Q = 0.5 to 20 m³/h
 Total head..... H = 5 to 60 mwc
 Motors..... P = 0.5 to 7.5 hp
 (0.37 to 5.5 kW)
 Motor velocity..... n = 750-1000-1500 rpm
 Maximum viscosity..... V = 100000 cP
 Temperature..... T = 80°C
 (special 110°C)
 Material..... AISI-316L

DESCRIPTION

The ROTORINOX is a volumetric SANITARY pump with positive displacement for thin and viscous liquids. It is characterised by the hydraulic section being over-dimensioned and joints that are fitted with a PATENTED anti-abrasive sanitary HOOD (Utility Model No 200201433).

Its main specifications are:
 -Positive displacement self-suction.
 -Constant uniform pumping, without any pulsation.
 -Flow rate is proportional to speed of rotation.
 -Reversible by changing the direction of rotation.
 -Easy to disassemble by means of two swivelling tierods.

Its main characteristic is that it is completely manufactured in stainless steel, including the flange and stator tube protector.

It is manufactured in two types:

- ROTORINOX-M** Uncovered motor (Matt finish)
ROTORINOX-S Covered motor (Brilliant finish)

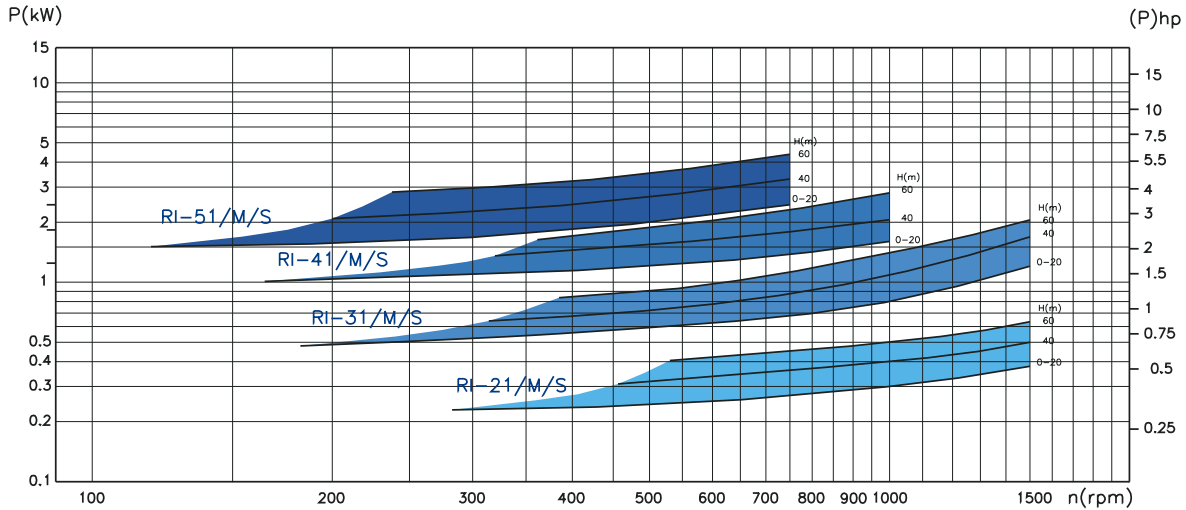
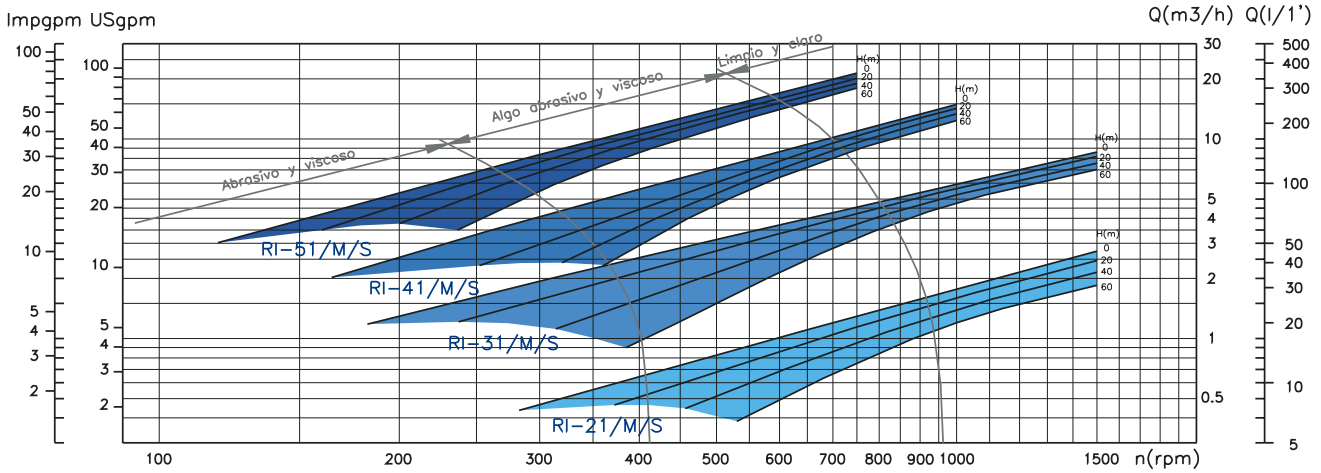
- Sanitary body and mouth.
- Over-dimensioned universal bar with sanitary HOOD.
- Over-dimensioned polished, chrome rotor.
- Normal stator; Perbunán foodstuff, white (Special: Hypalón, EPDM, vitón)
- Interchangeable, over-dimensioned, independent shaft.
- Single internal mechanical seal, Burgmann type (other seals possible).
- Stainless steel flange.
- Pressed stainless steel base.
- Stainless steel motor housing. Ventilated. Electrical connections inside motor cover (only the ROTORINOX-S).

It may be directly coupled to:
 -Electric motor 750-1000-1500 rpm.
 -Geared motor, 100 to 600 rpm (only the ROTORINOX-M).
 -Mechanical variator-motor, 190/1000 rpm or 125/600 rpm (only the ROTORINOX-M).
 Fitted with DIN-11851 threads (possible SMS, FIL, CLAMP).

APPLICATIONS

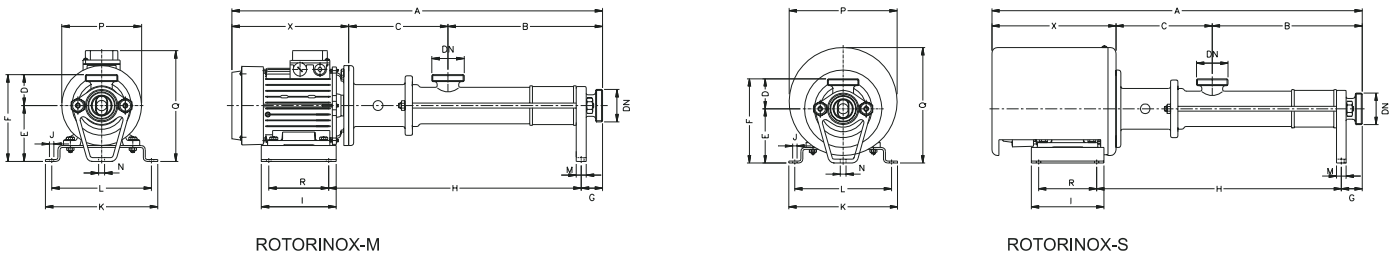
Cream, custard, syrups, jams, molasses, cosmetics and pastes etc.
 Water, wine, oil and juices etc.

CURVAS CARACTERÍSTICAS / CHARACTERISTIC CURVES



NOTA: Estas curvas se entienden para líquido no viscoso de densidad 1 cST. / NOTE: The curves are understood to be for non-viscous liquids with a density of 1 cST.

DIMENSIONES / DIMENSIONS



TIPO / TYPE	MOTOR / MOTOR				DIMENSIONES / DIMENSIONS (mm)													ROTORINOX-M				ROTORINOX-S				PESO / WEIGHT (ka)				
	TAM / SIZE	hp	kW	rpm	B	C	D	E	F	G	H	I	J	K	L	M	N	R	DN	X	A	P	Q	X	A	P	Q			
RI-21/M RI-21/S	80	0.75-1	0.55-0.75	1500	310	199	62	112	174	43	506	150	9	225	200	20	12	120	NW-40	234	743	160	222	257	766	223	239	22-23	25-26	
	90	1.5-2	1.1-1.5	1000							517	170	11	255	225					135	270	779	172	235	297	806	268	274	26-29	31-34
	80	0.5-0.75	0.37-0.55	750							517	170	11	255	225					135	270	779	172	235	297	806	268	274	26-29	31-34
	90	1-1.5	0.75-1.1	1500							517	170	11	255	225					135	270	779	172	235	297	806	268	274	26-29	31-34
RI-31/M RI-31/S	90	1.5-2	1.1-1.5	1500	474	68	132	200	50	690	170	11	255	225	30	12	135	NW-50	270	959	200	255	297	986	268	293	34-37	39-42		
	100	3-4	2.2-3	1000						702	185	13	295	260					150	299	993	200	269	350	1044	322	327	42-45	49-52	
	90	1-1.5	0.75-1.1	750						690	170	11	255	225					135	270	959	200	255	297	986	268	293	34-37	39-42	
	100	2	1.5	1500						702	185	13	295	260					150	299	993	200	269	350	1044	322	327	41-44	48-51	
	112	3	2.2	1000						702	200	13	320	285					165	301	995	217	278	350	1044	322	327	48	54.5	
	90	0.5-0.75	0.37-0.55	750						690	170	11	255	225					135	270	959	200	255	297	986	268	293	34-37	39-42	
	100	1-1.5	0.75-1.1	1500						702	185	13	295	260					150	299	993	200	269	350	1044	322	327	41-44	48-51	
	112	2	1.5	1000						702	200	13	320	285					165	301	995	217	278	350	1044	322	327	49	55.5	
RI-41/M RI-41/S	112	3	2.2	1000	595	85	160	245	55	863	200	13	320	285	30	14	200	NW-65	367	1274	261	323	435	1315	378	383	78-85	87-94		
	112	2	1.5	750						863	200	13	320	285					165	301	1161	217	306	350	1210	322	346	67	73.5	
	132	3-4	2.2-3	1500						903	250	13	370	335					200	367	1274	261	323	435	1315	378	383	85-92	94-101	
RI-51/M RI-51/S	132	3-4	2.2-3	750	705	95	180	275	70	1045	250	13	370	335	40	16	200	NW-80	367	1404	300	343	435	1472	378	393	117-124	126-133		
	160	5.5-7.5	4-5.5	1500						1105	340	13	434	400					252	534	1560	310	389	590	1657	435	446	164-164	181-181	



Bominox, S.A.
Ctra. Banyoles, km.14
17844 Cornellà de Terri (Girona) Spain
Apart.123 Banyoles

Tel. 34 972 59 50 20
Fax 34 972 59 51 20
E-mail: info@bominox.com
www.bominox.com